

School				Mark (10)
Name		HKID		
Class (No.)		Date		

C3 Diffraction Grating with White Light Source

Answers to Preview Questions

1. _____
2. _____
3. _____
4. _____
5. _____
6. _____
7. _____

Experiment 1 Angle of diffraction by simple geometry

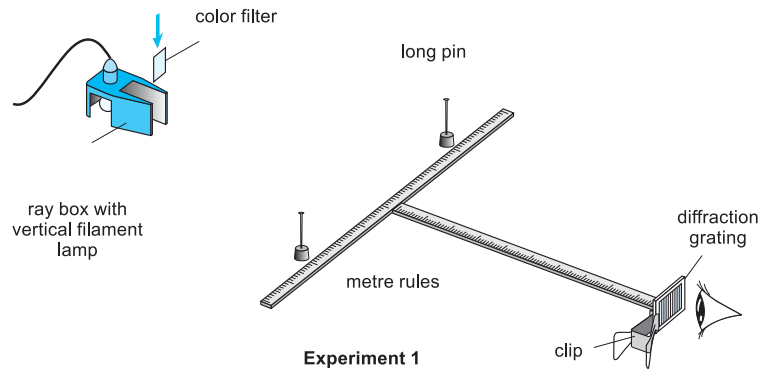
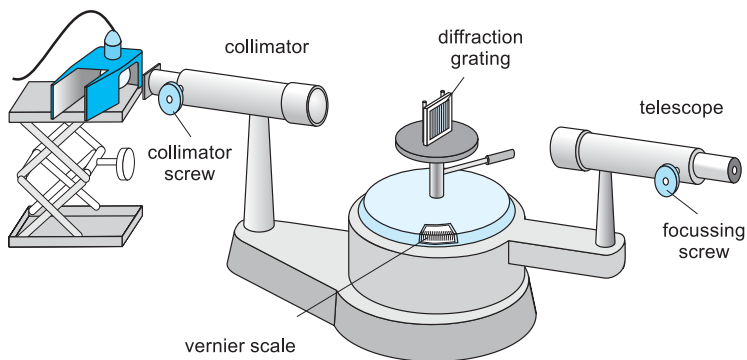


Table 1

	Red	Green	Blue
Separation between pins $2x$ ()			
Angle of diffraction θ ()			
Calculated wavelength λ ()			
Literature value λ' ()			
Percent difference			

Experiment 2 Angle of diffraction by spectrometer



Experiment 2

Table 2

	Red	Green	Blue
Vernier reading 1			
Vernier reading 2			
Angle of diffraction θ ()			
Calculated wavelength λ ()			
Literature value λ' ()			
Percent difference			

Answers to Discussion

1. _____

2. _____

3. _____

Wavelength of yellow light _____